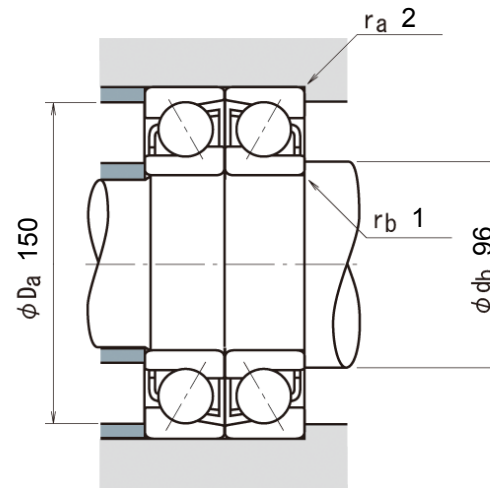
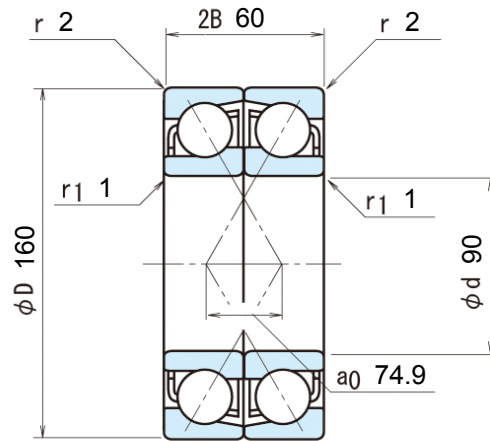


| Boundary Dimensions (mm) |          |           |                  |                   | Basic Load Ratings (kN) |                       | Limiting Speeds (min <sup>-1</sup> ) |      | Bearing Numbers | NSKHPS |
|--------------------------|----------|-----------|------------------|-------------------|-------------------------|-----------------------|--------------------------------------|------|-----------------|--------|
| <i>d</i>                 | <i>D</i> | <i>2B</i> | <i>r</i><br>min. | <i>r1</i><br>min. | <i>C<sub>r</sub></i>    | <i>C<sub>0r</sub></i> | Grease                               | Oil  |                 |        |
| 90                       | 160      | 60        | 2                | 1                 | 173                     | 188                   | 2000                                 | 2800 | 7218BWDF        |        |



| Factor | Mass (kg) approx. |
|--------|-------------------|
| $f_0$  | approx.           |
| -      | 4.58              |